

CONDUCTIVITY PROBES

FULL SS (AISI-316) (Gc 3/4")

Data Sheet

FULL STAINLESS STEEL CONDUCTIVITY PROBES

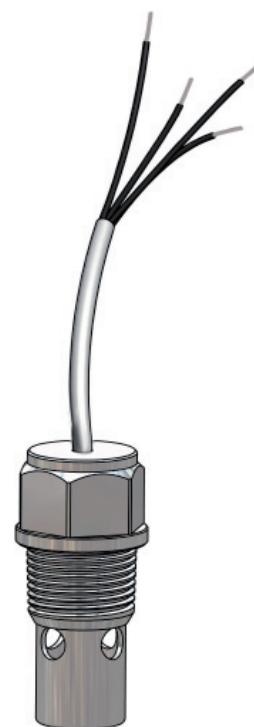
Conductivity probes with full SS body are the ideal complement for EMEC controllers. They perform an accurate and reliable operativity into chemical environment. These electrodes are made for an easy maintenance, accurate reading and fast response.

Max	15 bar
	130°C
NTC 10k	PT100

Suitable to work under heavy pressure and high temperature.



EICDC/K1 - K01 - K001



EICDHPT/K1 -K01 - K001

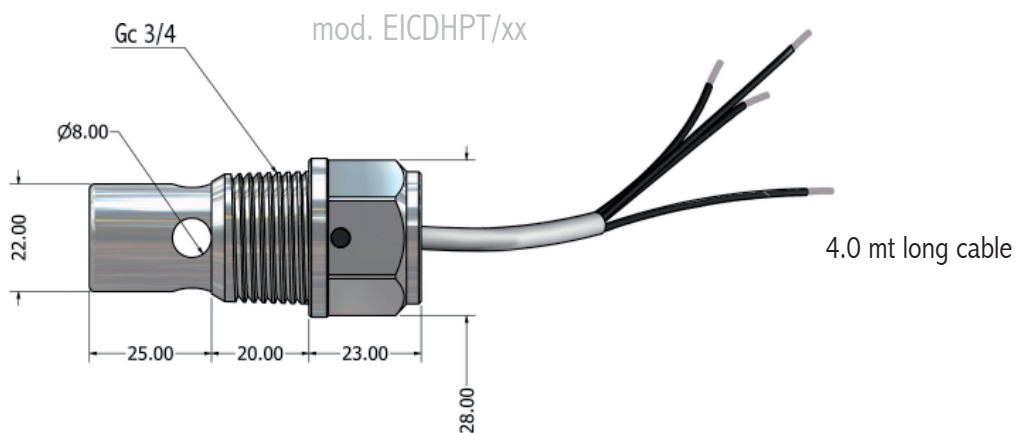
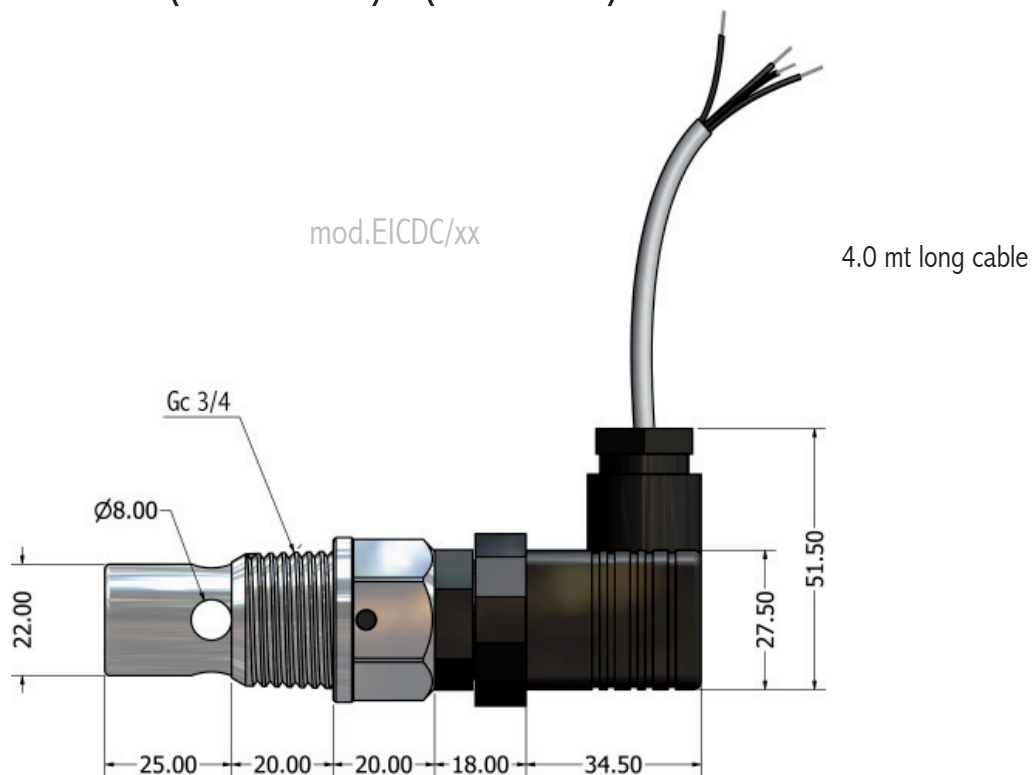
MODELS

	EICDC/1	EICDC/01	EICDC/001	EICDCPT/1	EICDCPT/01	EICDCPT/001	EICDHPT/1	EICDHPT/01
Working Range	20mS	0÷200 µS	0÷20 µS	20mS	0÷200 µS	0÷20 µS	20mS	0÷5 ms
"K" Factor	1	0.1	0.01	1	0.1	0.01	1	0.1
Max pressure / temperature	15 bar/130°C	15 bar/130°C	15 bar/130°C	15 bar/130°C	15 bar/130°C	15 bar/130°C	15 bar/200°C	15 bar/200°C
Body	SS	SS	SS	SS	SS	SS	SS	SS
Electrodes	SS	SS	SS	SS	SS	SS	SS	SS
Diameter	Gc 3/4"	Gc 3/4"	Gc 3/4"	Gc 3/4"	Gc 3/4"	Gc 3/4"	Gc 3/4"	Gc 3/4"
Probe Length	85 mm	85 mm	85 mm	85 mm	85 mm	85 mm	85 mm	85 mm
Cable Length	4 mt	4 mt	4 mt	4 mt	4 mt	4 mt	4 mt	4 mt
Temperature Compensator	NTC 10K	NTC 10K	NTC 10K	PT 100	PT 100	PT 100	PT 100	PT 100

CONDUCTIVITY PROBES

FULL SS (AISI-316) (Gc 3/4")

Data Sheet



COMPENSATOR	C A B L E S		SECTION
NTC 10K	RED	ELECTRODES	4 x 0.14
	BLACK		
	WHITE	NTC 10K	
	GREEN		

PT 100	RED	ELECTRODES	4 x 1.50
	BLACK		
	GREY	PT 100	
	GREY		