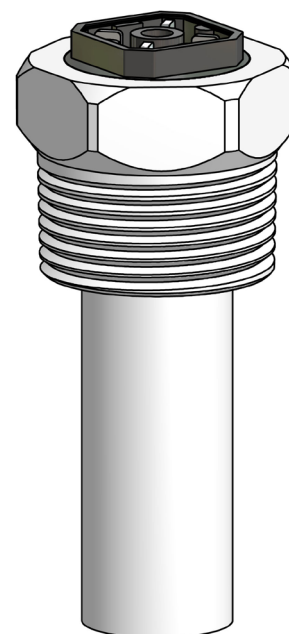


# CONDUCTIVITY PROBES

### ECDC/xx - ECDCC/xx - ECDCCPT/xx

#### GRAPHITE CONDUCTIVITY PROBES

Graphite conductivity electrodes with PVDF body are the ideal complement for EMEC controllers. They perform an accurate and reliable operativity into chemical environment. These electrodes are made for an easy maintenance, accurate reading and fast response: features required for the best accurate measurement.



Max	7 bar 60°C
K	1-10-0.8

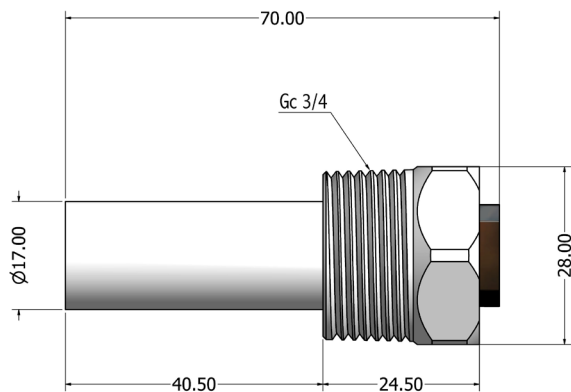
#### MODELS

	ECDC/1	ECDC/10	ECDCC/1	ECDCC/10	ECDCCPT/1	ECDCCPT/10	ECDCC 20
Measuring Range	0÷20 mS	0÷200 mS	0÷20 mS	0÷200 mS	0÷20 mS	0÷200 mS	10÷20.000 µs
K Factor	1	10	1	10	1	10	0,8
Max pressure Max temperature	7 bar/60°C (2 bar/100°C)	7 bar/60°C (2 bar/100°C)	7 bar/60°C (2 bar/100°C)	7 bar/60°C (2 bar/100°C)	7 bar/60°C (2 bar/100°C)	7 bar/60°C (2 bar/100°C)	7 bar/60°C (0 bar/100°C)
Body	PVDF	PVDF	PVDF	PVDF	PVDF	PVDF	PVDF
Electrodes	Graphite	Graphite	Graphite	Graphite	Graphite	Graphite	Graphite
Diameter	3/4"	3/4"	3/4"	3/4"	3/4"	3/4"	3/4"
Probe length	90 mm	90 mm	90 mm	90 mm	90 mm	90 mm	90 mm
Cable length	4 m	4 m	4 m	4 m	4 m	4 m	4 m
Temperature Compensation	N/A	N/A	NTC 10K	NTC 10K	PT100	PT100	NTC 10K

# CONDUCTIVITY PROBES

Data Sheet

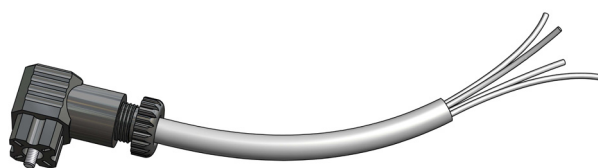
ECDC/xx - ECDCC/xx - ECDCCPT/xx



ECDC/xx

ECDCC/xx

ECDCCPT/xx



4.0 m cable with  
connector

COMPENSATION	C A B L E		WIRES SIZE
N/A	RED	ELECTRODES	4 x 0.14
	BLACK		
	GROUND	GROUND	
NTC 10K	RED	ELECTRODES	4 x 0.14
	BLACK		
	WHITE	NTC 10K	
	GREEN		
PT 100	RED	ELECTRODES	2 x 0.50
	BLACK		
	BLUE	GROUND	4 x 0.22
	GREEN		
	BROWN	PT 100	
	YELLOW-WHITE		