

## FEATURES

- 7 segment LED display
- 0÷199.9 µS, 0÷1999 µS, 0÷19.99 mS scale
- Programmable delay at power on for probe polarization
- Stand-by for no flow interlock
- 0/4÷20mA (max 500 Ohm)
- Automatic temperature compensation (0÷100° C)
- 2 set-point on/off
- Maximum dosing alarm
- Mod. "LCDS": 2 set-point on/off, 1 proportional analog
- Galvanic isolated

On/Off Conductivity controller with automatic temperature compensation, 2 set-point.



## ELECTRICAL

### SIGNAL INPUT

Terminal block

### ON/OFF OUTPUT

2 Voltage output

### ALARM OUTPUT

Free voltage contact relay (fuse protected)

### POWER SUPPLY

24, 115, 230 VAC; 50/60 Hz

### CURRENT OUTPUT

0/4÷20mA (max 500 Ohm)

### INPUT

1 For flow sensor or stand-by

### POWER CONSUMPTION

Average 10 W

### FUSE PROTECTION

instrument: 200mA

setpoint: 2A

alarm: 2A

## CONFIGURATION INFO

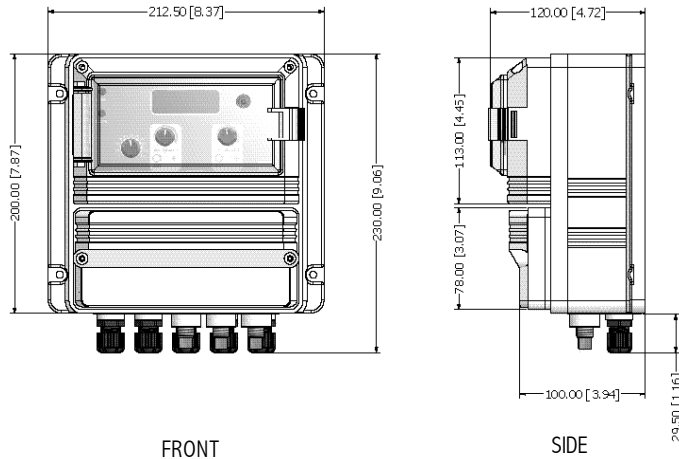
| POWER SUPPLY |                      |
|--------------|----------------------|
| 0            | 230 VAC Schuko plug  |
| 1            | 230 VAC without plug |
| 3            | 115 VAC US plug      |
| 4            | 24 VAC without plug  |

| CHART RECORDER OUTPUT |         |
|-----------------------|---------|
| 0                     | 0÷20 mA |
| 1                     | 4÷20 mA |

| SCALE |          |
|-------|----------|
| V     | 199.9 µS |
| Q     | 1999 µS  |
| W     | 19.99 mS |

Model LCD 0 **0** 00 G 0 3 **0** **S** **V**

## DIMENSIONS



## ENCLOSURE

### IP65 enclosure (NEMA4x)

LCD control instruments are manufactured in ABS housing to ensure protection against aggressive chemicals and tough environment.

### ENVIRONMENT

0°C ÷ 40°C (32°F ÷ 104°F)

0÷95% (non condensing) relative humidity

## CONDUCTIVITY PROBES

|                                               | ECDHL/01   | ECDHL/1     | ECDHL/10    | ECDC/1                     | ECDC/10                    | ECDI/01                    | ECDI/02                    | ECDI/1                     |
|-----------------------------------------------|------------|-------------|-------------|----------------------------|----------------------------|----------------------------|----------------------------|----------------------------|
| <b>Measuring Range</b>                        | 0÷200 µS   | 0,2÷20 mS   | 20÷200 mS   | 0÷20 mS                    | 20÷200 mS                  | 0÷200 µS                   | 0÷500 µS                   | 0÷5 mS                     |
| <b>Resolution</b>                             | 0,1        | 0,01        | 0,1         | 0,01                       | 0,1                        | 0,1                        | 1                          | 0,01                       |
| <b>K Factor</b>                               | 0,1        | 1           | 10          | 1                          | 10                         | 0,1                        | 0,2                        | 1                          |
| <b>Max Pressure/<br/>Temperature</b>          | 7bar/70 °C | 7bar/70 °C  | 7bar/70 °C  | 7bar/60 °C<br>(0bar/120°C) | 7bar/60 °C<br>(2bar/120°C) | 7bar/60 °C<br>(0bar/120°C) | 7bar/60 °C<br>(0bar/120°C) | 7bar/60 °C<br>(0bar/120°C) |
| <b>Body</b>                                   | Epoxy      | Epoxy       | Epoxy       | PVDF                       | PVDF                       | PVDF                       | PVDF                       | PVDF                       |
| <b>Electrodes</b>                             | Platinum   | Platinum    | Platinum    | Graphite                   | Graphite                   | Stainless steel            | Stainless steel            | Stainless steel            |
| <b>Diameter</b>                               | 12 mm      | 12 mm       | 12 mm       | 3/4"                       | 3/4" - 1/2"                | 3/4"                       | 3/4"                       | 3/4"                       |
| <b>Probe Length</b>                           | 170 mm     | 170 mm      | 170 mm      | 90                         | 90                         | 80                         | 80                         | 62                         |
| <b>Electrical Connection</b>                  | 3 wires    | 3 wires     | 3 wires     | 5 wires                    | 3 wires                    | 3 wires                    | 3 wires                    | 3 wires                    |
| <b>Cable Length</b>                           | 4.5 m      | 4.5 m       | 4.5 m       | 4 m                        | 4 m                        | 4.5 m                      | 4.5 m                      | 4.5 m                      |
| <b>Equivalent with<br/>temp. compensation</b> | ECDHLCPT/1 | ECDHLCPT/10 | ECDHLCPT/01 | ECDCCT/1                   | ECDCCT/10                  | ECDICT/01                  | ECDICT/02                  | ECDICT/1                   |

|                                               | EICDCPT/001  | EICDCPT/01   | EICDCPT/1    | ECDHTPPT/01  | ECDHTPPT/1   |
|-----------------------------------------------|--------------|--------------|--------------|--------------|--------------|
| <b>Measuring Range</b>                        | 0÷20 µS      | 0÷200 µS     | 0÷5 mS       | 0÷200 µS     | 0÷5 mS       |
| <b>Resolution</b>                             | 0,01         | 0,1          | 0,01         | 0,1          | 0,01         |
| <b>K Factor</b>                               | 0,01         | 0,1          | 1            | 0,1          | 1            |
| <b>Max Pressure/<br/>Temperature</b>          | 15bar/130 °C | 15bar/130 °C | 15bar/130 °C | 15bar/200 °C | 15bar/200 °C |
| <b>Body</b>                                   | INOX         | INOX         | INOX         | INOX         | INOX         |
| <b>Electrodes</b>                             | INOX         | INOX         | INOX         | INOX         | INOX         |
| <b>Diameter</b>                               | 3/4"         | 3/4"         | 3/4"         | 3/4"         | 3/4"         |
| <b>Probe Length</b>                           | 70           | 70           | 70           | 70           | 70           |
| <b>Electrical Connection</b>                  | 5 wires      | 5 wires      | 5 wires      | 5 wires      | 5 wires      |
| <b>Cable Length</b>                           | 4 m          | 4 m          | 4 m          | 4,5 m        | 4,5 m        |
| <b>Equivalent with<br/>temp. compensation</b> | Embedded     | Embedded     | Embedded     | Embedded     | Embedded     |