

FEATURES

- Wide backlit LCD graphic display
- 4 on/off output
- Water meter (standard and Hall effect) input
- Flow input
- Stand-by input
- Data permanent storage

TIMERS

- Percentage timer:

cycle time: 0':1" up to 99':59"

on time: 0-100% of cycle

- Externally started (pulse) timer:

run time: 0':1" up to 99':59"

counter: 1-999 pulses

- "1-4 weeks" timer:

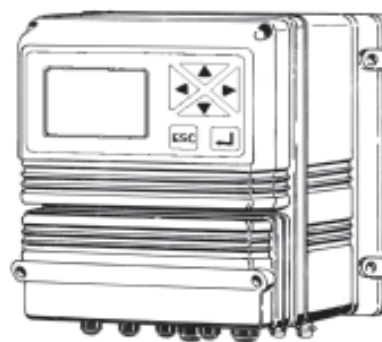
40 on/off functions

on time: 0':1" up to 99':59"

LT4 is a 4-relay output programmable timer controller.

Each output can be configured as either:

- a percentage timer (duty percentage of a full cycle)
- an externally started timer with counter
- "1-4 weeks" timer



ELECTRICAL

SIGNAL INPUT

Terminal block

POWER SUPPLY

UNIVERSAL 90÷240 VAC; 50/60 Hz

POWER CONSUMPTION

Average 8 W

ON/OFF OUTPUT

4 relays ; 5A @ powered output (fuse protected)

STAND-BY INPUT

1 contact input

FLOW INPUT

1 contact input

ENCLOSURE

IP65 enclosure (NEMA4x)

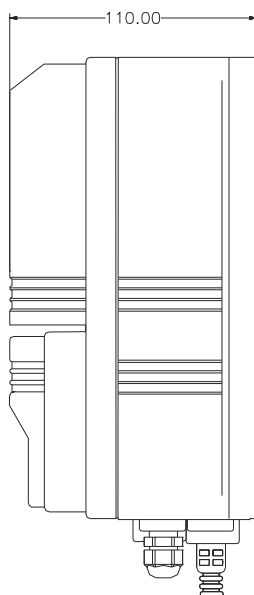
LT4 control instruments are manufactured in ABS housing to ensure protection against aggressive chemicals and tough environment.

ENVIRONMENT

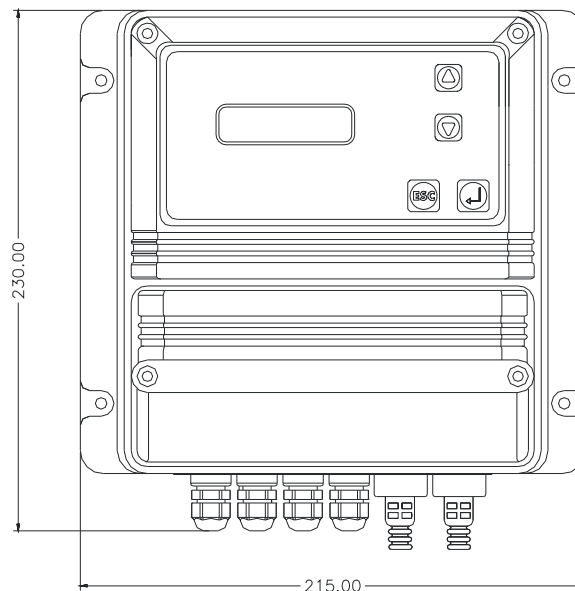
0°C to 50°C (32°F to 122°F)

0÷95% (non condensing) relative humidity

DIMENSIONS



SIDE



FRONT