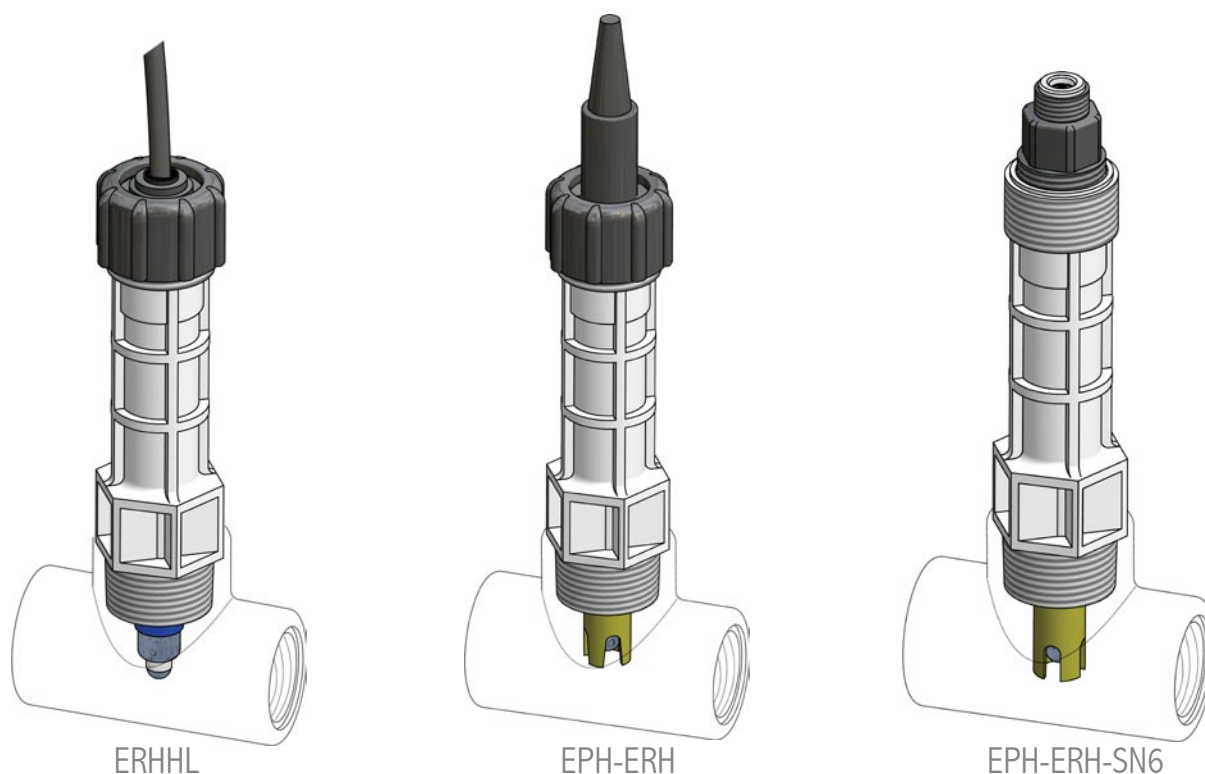


"IN LINE" PROBES HOLDER

mod. "PEL"

Data Sheet

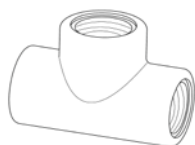
"IN LINE" PROBES HOLDER MADE OF PVDF
FOR "T" CONNECTION.



ERHHL

EPH-ERH

EPH-ERH-SN6



NOT INCLUDED PART

CODE	MODEL	FITTINGS
021.0990.0	EPH ERH	1/2"
021.0991.0	EPH ERH	3/4"
021.0992.0	ERHHL	1/2"
021.0993.0	ERHHL	3/4"
021.0994.0	EPH ERH SN6 (Pg 13.5)	1/2"
021.0995.0	EPH ERH SN6 (Pg 13.5)	3/4"

Usage limits : 7bar @ 90°C
3bar @ 130°C

“IN LINE” PROBES HOLDER mod. “PEL”

Data Sheet

