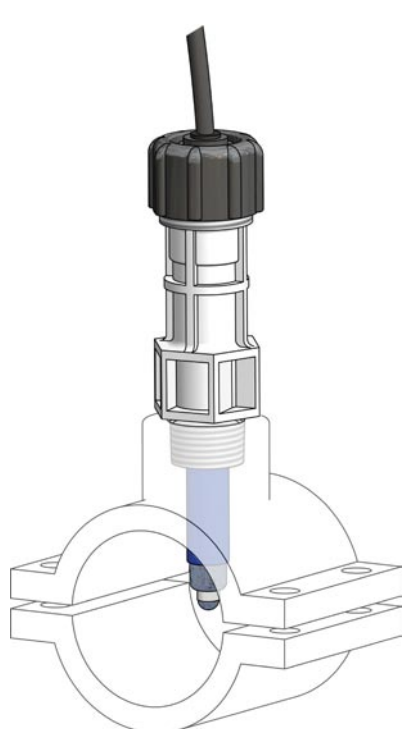


# "IN LINE" PROBES HOLDER

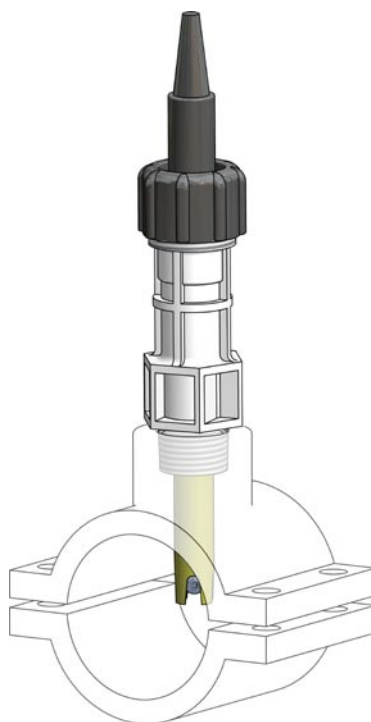
## mod. "PELC"

Data Sheet

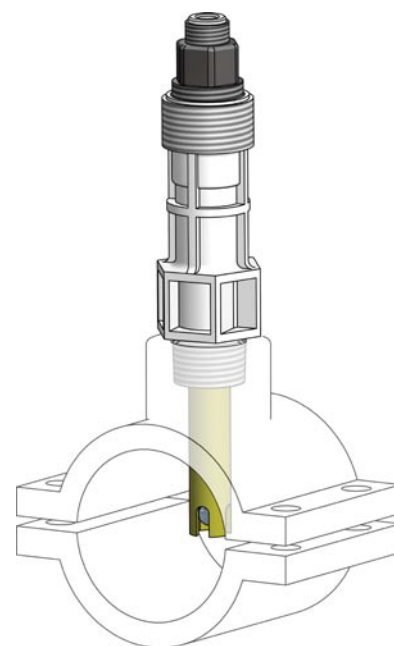
"IN LINE" PROBES HOLDER MADE OF PVDF FOR SADDLE CONNECTION.



ERHHL



EPH-ERH



EPH-ERH-SN6



NOT INCLUDED PART

CODICE	MODELLO	RACCORDI
021.0997.0	EPH ERH	1/2"
021.0998.0	EPH ERH	3/4"
021.0999.0	ERHHL	1/2"
021.1000.0	ERHHL	3/4"
021.1001.0	EPH ERH SN6 (Pg 13.5)	1/2"
021.1002.0	EPH ERH SN6 (Pg 13.5)	3/4"

Usage limits : 7bar @ 90°C  
3bar @ 130°C

# “IN LINE” PROBES HOLDER mod. “PELC”

Data Sheet

