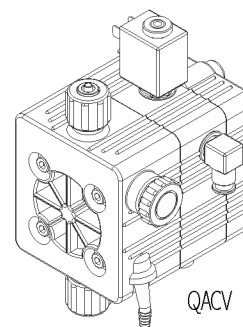
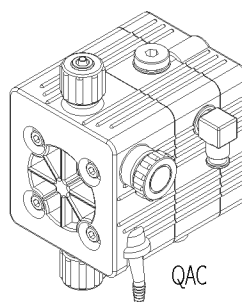


## Configuration Info



Power supply: 230 VAC (190÷265 VAC)

Power supply: 24 VAC (20÷32 VAC)

Power supply: 12 VDC (10÷16 VDC)

MODELS	
C	"QAC" Pneumatic dosing pump
V	"QACV" Pneumatic dosing pump with solenoid valve

CAPACITIES			HOSE	VALVE
0601	1 l/h against 6 bar	0.26 GPH against 87 PSI	4x6	3/8"
0603	3 l/h against 6 bar	0.79 GPH against 87 PSI	4x6	3/8"
0606	6 l/h against 6 bar	1.58 GPH against 87 PSI	4x6	3/8"
0612	12 l/h against 6 bar	3.17 GPH against 87 PSI	4x6	3/8"

SOLENOID VALVE	
0#	without solenoid valve (QAC model only)
11	230 VAC
10	24 VAC
18	12 VDC

Model QA **C** **0606** **V** 00 **0#**

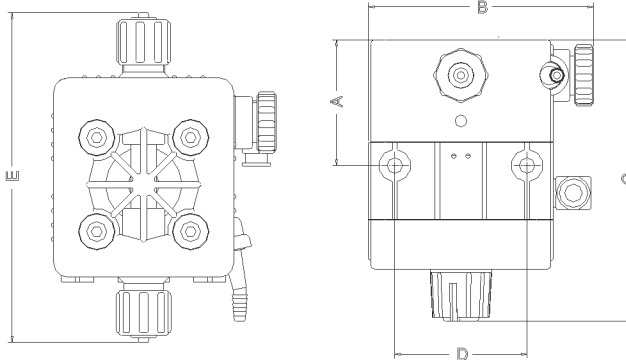
LIQUID ENDS								
	Head	Orings	Valve		Diaphragm	Tubing		Viscosity
			Body	Balls		Delivery	Suction	Max CPS
V	Polypropylene	Viton®	Polypropylene	SS	PTFE	Polyethylene	PVC	100
D	Polypropylene	Ethylene Propylene	Polypropylene	SS	PTFE	Polyethylene	PVC	100
W	Polypropylene	Nytrile	Polypropylene	SS	PTFE	Polyethylene	PVC	100

*Viton® is a registered trademark of DuPont Dow Elastomers.*

## SPECIFICATIONS

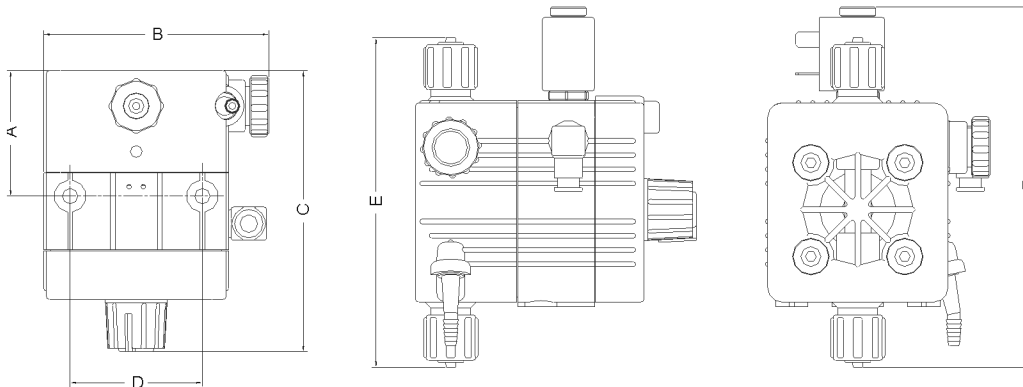
	Strokes per Minute		Stroke length Recommended minimum	Power consumption at (230VAC)	Weight	Air consumption l/min	Air supply bar
	Min	Max					
0601	12	120	20%	8 Watt (QACV electrovalve only)	0.45 Kg (1 Lbs)	2.4	6-8
0603	12	120				2.4	6-8
0606	12	120				2.4	6-8
0612	12	120				2.4	6-8

QAC



DIMENSIONS		
	mm	inches
A	53.00	2.09
B	95.00	3.74
C	119.00	4.68
D	55.80	2.20
E	139.00	5.47

QACV



DIMENSIONS		
	mm	inches
A	53.00	2.09
B	95.00	3.74
C	119.00	4.68
D	55.80	2.20
E	139.00	5.47
F	152.00	5.98

## OUTPUT INFORMATION

	Flow				cc per Stroke		Maximum Injection Pressure	
	Min cc/h	Max l/h	MinGPH	MaxGPH	Min	Max		
0601	20	1	0.005	0.26	0.028	0.14	6 bar	87 PSI
0603	60	3	0.015	0.79	0.084	0.42	6 bar	87 PSI
0606	120	6	0.031	1.58	0.166	0.83	6 bar	87 PSI
0612	240	12	0.063	3.17	0.332	1.66	6 bar	87 PSI