

TANKS

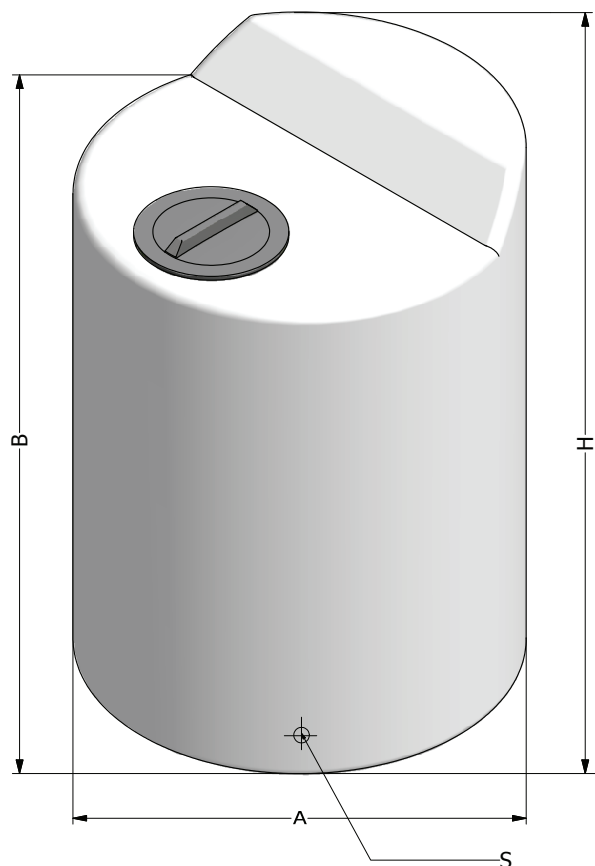
SAFETY BAFFLES

Data Sheet

Tanks for chemicals dosing made of reinforced polyethylene, cylindrical-vertical shape. Flat bottom side.

Upper side is available for mixers and / or dosing pumps installation.

With chemical load hatch and level indicator.



Model	Lt	A	B	H	S
CNT06	60	400	500	550	1/2" F
CNT1N	100	500	630	680	1/2" F
CNT2N	200	620	750	800	1/2" F
CNT3N	300	710	840	890	1/2" F
CNT5N	500	885	950	1000	1" F
CNT10N	1000	1100	1150	1200	1" F

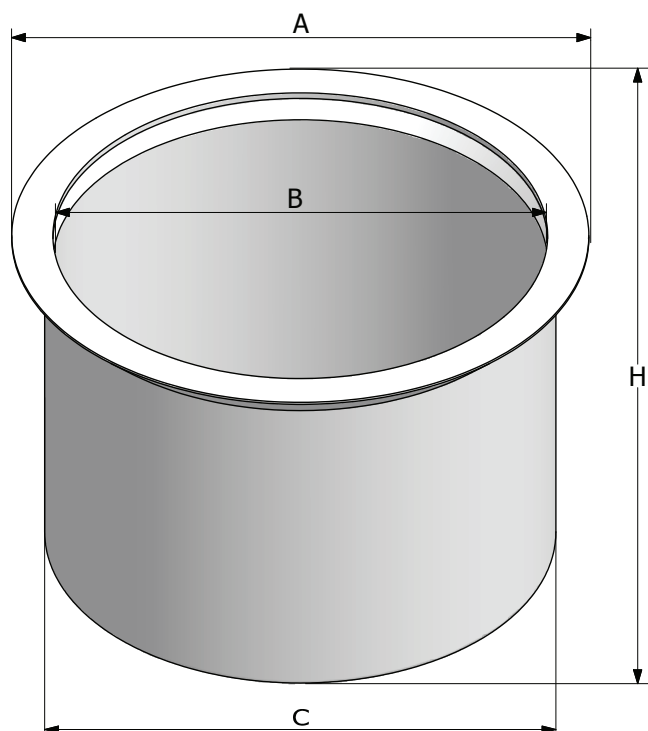
mm unit measurement

TANKS

SAFETY BAFFLES

Data Sheet

Safety baffle with flat bottom, “all open” with reinforced border. Made of polythylene. To use with “CNT” tanks series.



Model	Lt	A	B	C	H
COS06	60	600	450	480	350
COS1N	120	700	600	620	450
COS2N	220	800	680	700	600
COS3N	325	900	780	800	660
COS5N	600	1050	920	930	1000
COS10N	1200	1350	1240	1250	1050

mm unit measurement