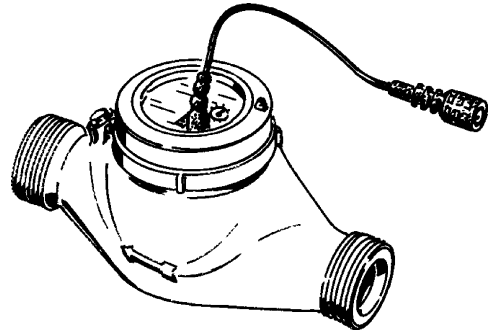


FEATURES

- Threaded pulse emitter water meter for cold and hot water, single (mod. 15 - 20 - 25 - 30 - 40) and multiple (mod. 50) jet counter with wet or dry dial
- Thread sizes range: from 1/2" to 2"
- Brass case and head (except for 50mm 2" model with cast iron case and head)
- Working temperature: cold water up to 30° C, hot water up to 90° C (mod. CTCI)
- 2m cable length (RG58), equipped with BNC connector
- Reed contact with 10⁹ closing operations
- Max voltage 250 VAC, 200 VDC
- Max current 1.0 A
- Max power 10 VA
- Available water meter without pulse emitter



Configuration Info

MODELS		
CTCI.	"CTCI"	hot water pulse emitter water meter
CTFI.	"CTFI"	cold water pulse emitter water meter
CTFIT	"CTFIT"	cold water pulse emitter water meter, PTFE internal and external coating
CTCIT	"CTCIT"	hot water pulse emitter water meter, PTFE internal and external coating
CTFIG	"CTFIG"	cold water pulse emitter water meter with pump "C" holder
CTCIG	"CTCIG"	hot water pulse emitter water meter with pump "C" holder
CATCI	"CATCI"	hot water pulse emitter water meter, dry dial
CATFI	"CATFI"	cold water pulse emitter water meter, dry dial

Model **CTCI.** **015** **0** **04** **L** **0** **2.5**

GAUGES		
	inc	mm
015	1/2	15
020	3/4	20
025	1	25
030	1.1/4	30
040	1.1/2	40
050	2	50

CONNECTORS	
0	BNC
1	2 wires
3	2 wires (coaxial cable)

QUANTITY PER PULSES	
L	1 litre
D	10 litres
C	100 litres
M	1000 litres

PULSES PER LITRE	
refer to the tables "Pulses per litre"	

TURBINE PULSE EMITTER WATER METER

Data Sheet

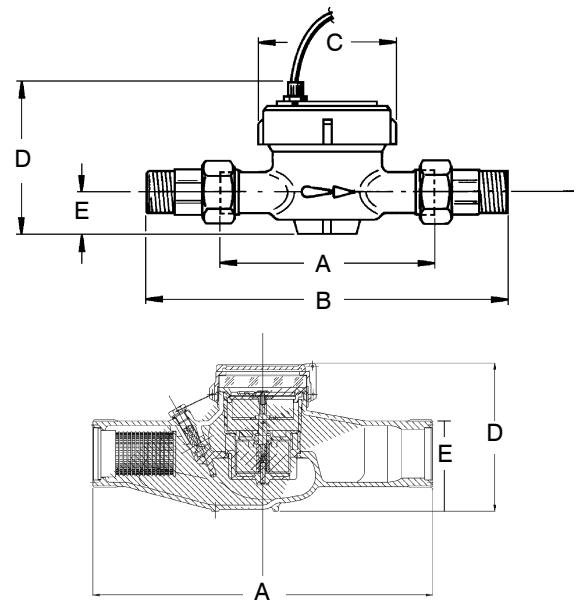
PULSES PER LITRE

Pulses per liter table for water meters CTFI / CTCI / CTFIT CTCIT CTFIG / CTCIG	Water Meter Caliber					
	15	20	25	30	40	50
Pulses for 1 lt	35 - 70 140 1 - 2 - 4	22.5 - 45 90 1 - 2 - 4	12 - 24 48 1 - 2 - 4	12 - 24 48 1 - 2 - 4	4.5 - 9 18 1 - 2 - 4	1, 2, 4
Pulses for 10 lt	1, 2, 4	1, 2, 4	1, 2, 4	1, 2, 4	1, 2, 4	1, 2, 4
Pulses for 100 lt	1, 2, 4	1, 2, 4	1, 2, 4	1, 2, 4	1, 2, 4	1, 2, 4
Pulses for 1000 lt	1, 2, 4	1, 2, 4	1, 2, 4	1, 2, 4	1, 2, 4	1, 2, 4

Pulses per liter table for CATFI / CATCI series water meters	Water Meter Caliber					
	15	20	25	30	40	50
Pulses for 1 lt	1, 2, 4	1, 2, 4	1, 2, 4	1, 2, 4	1, 2, 4	1, 2, 4
Pulses for 10 lt	1, 2, 4	1, 2, 4	1, 2, 4	1, 2, 4	1, 2, 4	1, 2, 4
Pulses for 100 lt	1, 2, 4	1, 2, 4	1, 2, 4	1, 2, 4	1, 2, 4	1, 2, 4
Pulses for 1000 lt	1, 2, 4	1, 2, 4	1, 2, 4	1, 2, 4	1, 2, 4	1, 2, 4

DIMENSIONS

Gauge		mm	15	20	25	30	40	50
		inch	1/2	3/4	1	1.1/4	1.1/2	2
Length without hose fittings	A	mm	110	130	160	160	200	300
Length with hose fittings	B	mm	190	228	260	280	340	-
Width	C	mm	80	80	100	100	110	108
Height	D	mm	110	110	132	132	137	130,5
Height from hose	E	mm	24	24	34	34	42	50,5
Weight with hose fitting		Kg	0,850	1,100	1,750	2,000	3,460	-
CEE approval number			B93 320 01	B93 320 02	B97 320 03	B97 320 04	B99 320 11	B02 320 13



FEATURES

Gauge		mm	15	20	25	30	40	50
		inch	1/2	3/4	1	1.1/4	1.1/2	2
Inertial breaking	l/h		10	15	20	20	25	50
Max temporary flow delivery	m³/h		3	5	7	10	20	30
Flow delivery with 10m of load loss	m³/h		3	5	7	10	20	30
Nominal flow rate	m³/h		1.5	2.5	3.5	5	10	15
First precision delivery ±5%	l/h		30	50	70	100	200	450
Second precision delivery ±2%	l/h		120	200	280	400	800	3000
Max operation pressure	bar		16	16	16	16	16	16
Minimum reading	l		0.1	0.1	0.1	0.1	0.1	0.5
Maximum reading	m³		10 ⁵	10 ⁵	10 ⁵	10 ⁵	10 ⁵	10 ⁶
Turbine revs per liter	g/l		34.8	22.5	11.7	11.7	4.5	3.16

