

## FEATURES

- Wide LCD backlight display
- Instrument control by a rotation “Encoder”
- 2 metering pumps with PVDF pump heads
- Flow control input
- pH range: 0-14 pH; Redox range: 0-999 mV
- Max dosing time alarm
- Programmable delay at dosing startup (max 60 minutes)
- pH priority dosage over ORP dosage
- Probe check-up
- pH compensation
- Environment working temp.: -10°C - 45°C (14°F - 113°F)
- Power supply 190÷265 VAC; 50/60 Hz



- |  |  |
|--|--|
| <ul style="list-style-type: none"> <li>▪ INPUT:</li> <li>- Stand-by</li> <li>- Flow</li> <li>- pH level</li> <li>- Redox level</li> <li>- pH probe</li> <li>- Redox probe</li> <li>- Power supply</li> </ul> | <ul style="list-style-type: none"> <li>▪ OUTPUT:</li> <li>- pH pump</li> <li>- Redox pump</li> <li>- Alarm output</li> </ul> |
|--|--|

WDPHRH is an integrated All-in-One Swimming Pool Controller with two metering pumps: for acid (pH) and disinfectant (ORP).

It is possible to operate in two different working modes: On/Off or proportional according with the set points. In On/Off workind mode, a “Waiting Time” function let the pumps operate at pulses per minutes for a set time (1 pulse every x minutes) to provide a reaction time.

## CONFIGURATION

MODELS
0310
SELF-VENTING MODELS
0307

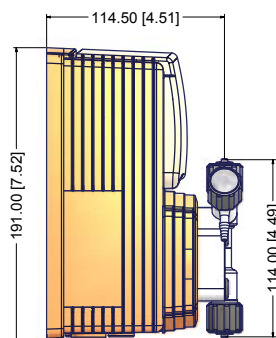
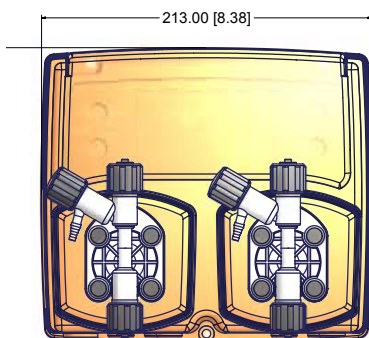
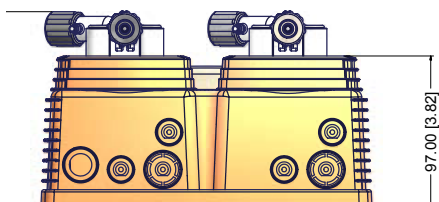
POWER SUPPLY	
00	230 VAC Schuko plug
01	230 VAC without plug
03	115 VAC US plug

Model                    WPR    0310    1    00    00    000

LIQUID ENDS								
	Head	Orings	Valves		Diaphragm	Hoses		Viscosity Max CPS
			Body	Balls		Delivery	Suction	
1	PVDF	Viton®	PVDF	Ceramic	PTFE	PE	PVC	100
2	PVDF	EPDM	PVDF	Ceramic	PTFE	PE	PVC	100

Viton® is a registered trademark of DuPont Dow Elastomers.

INFORMATION				
MODEL	Stroke speed		Power consumption	Weight
	Min stroke hour	Max stroke minute		
0310	1	180	32 Watt	3.0 Kg (6.61 Lbs)
SELF-VENTING MODEL				
0310	1	180	32 Watt	3.0 Kg (6.61 Lbs)



MORE INFORMATION						
MODEL	Flow		Stroke/ minute	cc per stroke	Max pressure	
	l/h	GPH			bar	PSI
0310	10	2,64	180	0,93	03	44
SELF-VENTING MODEL						
0307	07	1,85	180	0,65	03	44