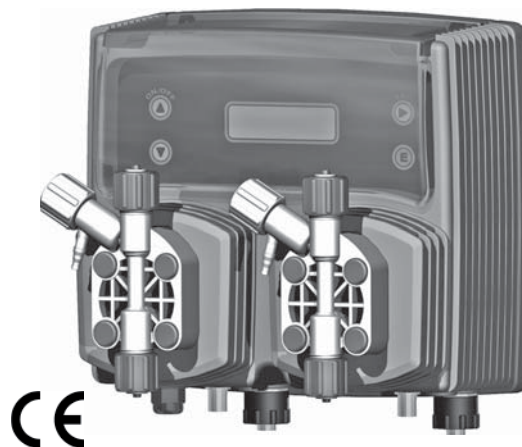


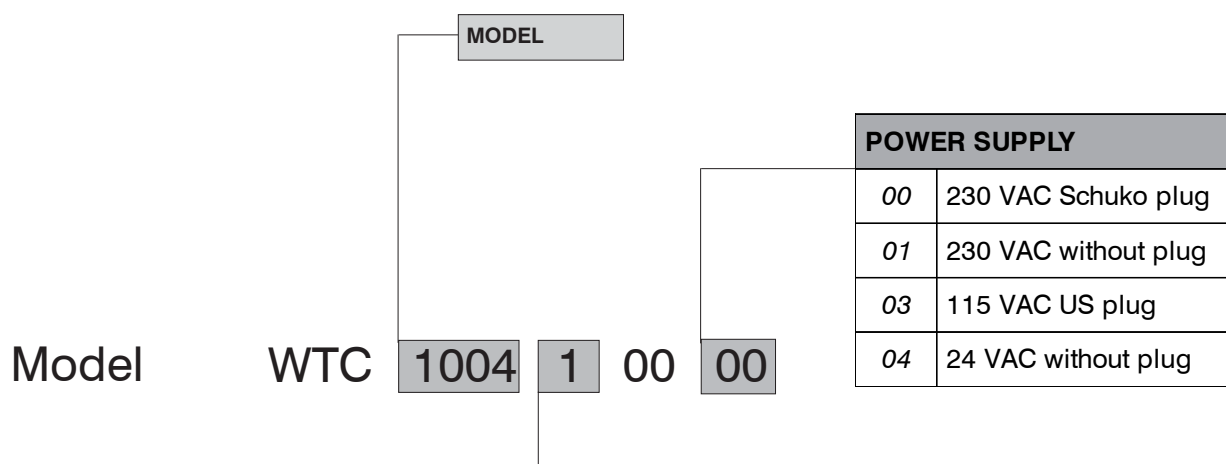
## FEATURES

- Wide backlight LCD graphic display
- 1 on/off outputs
- 2 pumps with PVDF pump heads
- Water meter input
- Flow input
- Stand-by input
- Permanent data-storage
- Blow down mode: discharge control on conductivity values
- Conductivity probe (0-9999 µS)
- Working Modes:
  - percentual mode
  - startup on external signal and ppm dosage
  - 1-2-4 weeks timer



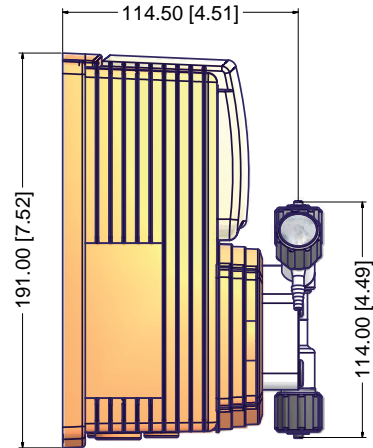
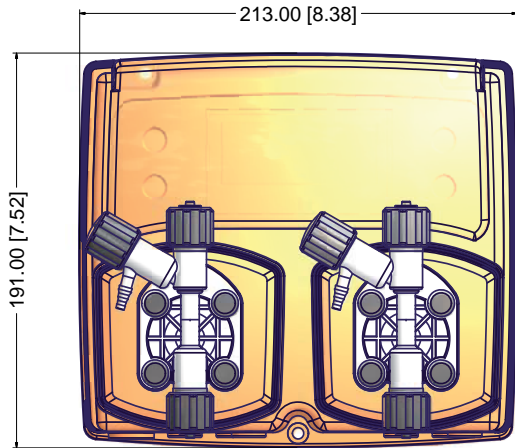
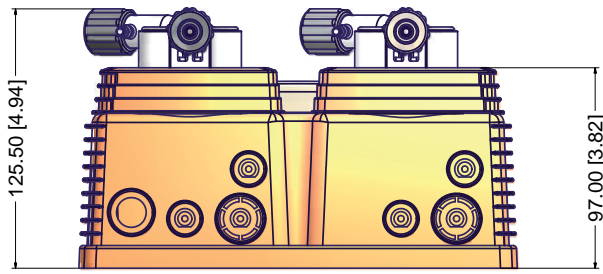
WTC is a programmable instrument with 2 pump heads, 1 timered fully programmable output and 1 blow down output. Every pump head can be independently programmed in one of the following 3 modes:

- percentual mode (job in a duty-cycle)
- ppm mode (dosing rate is determined by pulses from a pulse sender water meter or external signal and ppm set)
- “1-2-4” week mode (40 on/off cycles based on a 28 days calendar, dosing time from 0’1” up to 99’59”)



LIQUID ENDS								
	Pump Head	Orings	Valves		Diaphragm	Hoses		Viscosity
			Body	Balls		Delivery	Suction	Max CPS
1	PVDF	Viton®	PVDF	Ceramic	PTFE	PVDF	PVDF	100
2	PVDF	EPDM	PVDF	Ceramic	PTFE	PVDF	PVDF	100
4*	PVDF	Viton®	PVDF	Ceramic	PTFE	PVDF	PVDF	100
5*	PVDF	EPDM	PVDF	Ceramic	PTFE	PVDF	PVDF	100

*Viton® is a registered mark of DuPont Dow Elastomers.*



## MORE INFORMATION

INFORMATION							
	Flow		Strokes per minute	Consumption	cc perpulse	Max pressure	
	l/h	GPH				bar	PSI
1004	4	1.05	180	16 Watt	0.37	10 bar	145 PSI
<i>Self venting model</i>							
0704	4	1.05	180	16 Watt	0.37	7 bar	101 PSI